

Tungsten Fresnel 2000W Junior

SPECIFICATIONS

Capacity	2,000W
Voltage	220V
Fresnel Lens Dia.	175mm(7 in.)
Weight(w/o barndoor)	8.8kg
Weight(w/ barndoor)	9.8kg
Lamp Type	2000W SE 3200°K
Lamp Holder	G38
Stirrup	28mm(1-1/8 in.) spigot
Class / IP Rating	1 / 20
Max. Surface Temp.	220°C
Max. Ambient Temp.	45°C
Min. Distance to Illuminated Object	2m
Min. Distance to Flammable Object	1m
Operating Range	45° - 0° - 45°



Tungsten Fresnel 2000W Junior

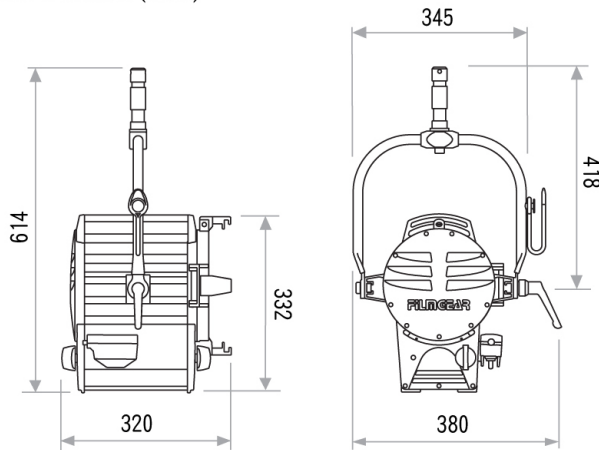
PHOTOMETRIC DATA

2000W Bulb	Distance	2m	6m	10m
Spot(10°)	Lux	54414	6046	2177
	Beam ø	0.35m	1.05m	1.75m
Flood(56°)	Lux	8156	906	326
	Beam ø	2.17m	6.38m	10.63m

PACKAGE CONTENTS

- Aluminium lamp housing with 4-leaf rotatable barndoor with safety wire
- 175mm(7 in.) fresnel lens
- G38 lampholder
- Stirrup with 28mm(1-1/8 in.) spigot
- 3-core cable 5m(16 ft.)
- On/Off switch

DIMENSIONS(mm)



ACCESSORIES (Optional)

- 4-leaf rotatable barndoor
- Variable snoot
- Filter frame
- Set of 4 scrims 229mm(9 in.):
 - Full Single Scrim
 - Full Double Scrim
 - Half Single Scrim
 - Half Double Scrim
- Carrying bag for 229mm(9 in.) scrim set
- Safety wire